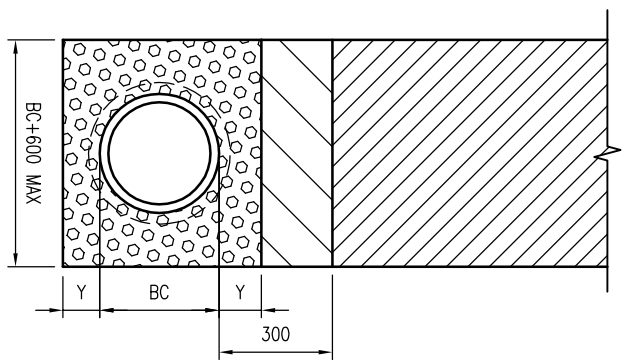
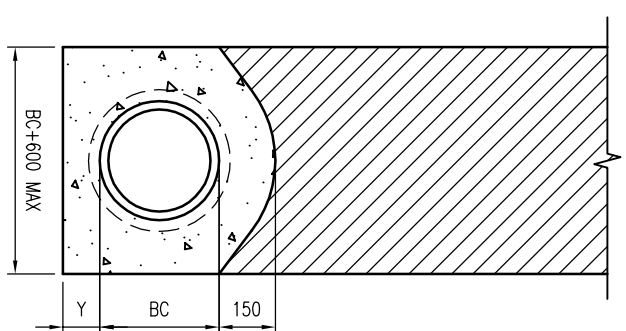


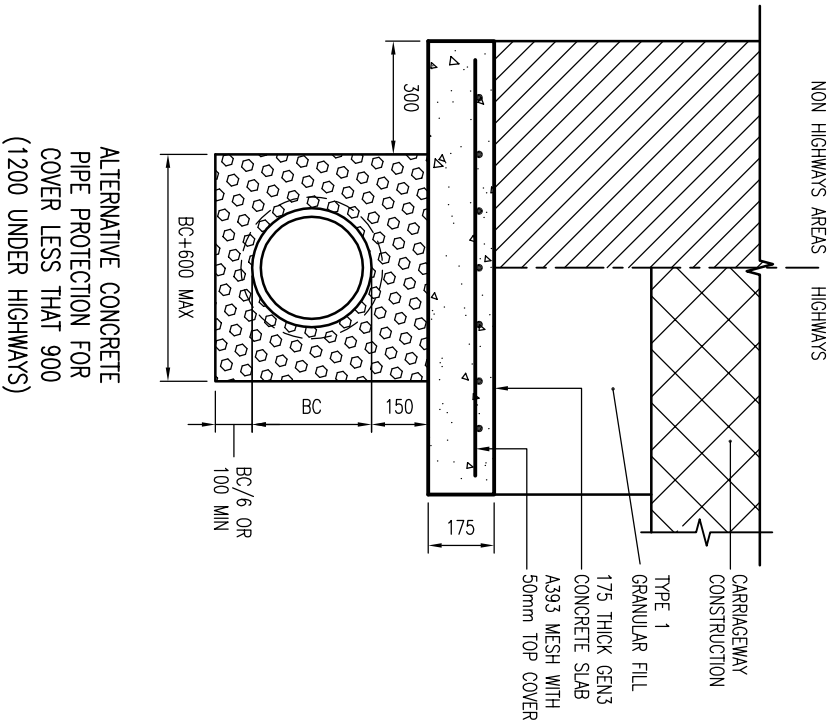
DUAL PIPE TRENCH
BEDDING DETAIL



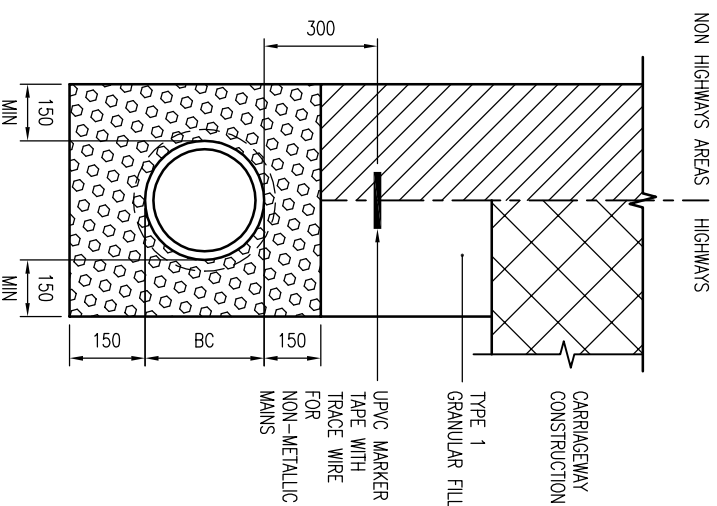
GRANULAR BED AND
SURROUND
CLASS 'S'



CONCRETE BED AND
SURROUND
CLASS 'Z'



ALTERNATIVE CONCRETE
PIPE PROTECTION FOR
COVER LESS THAN 900
(1200 UNDER HIGHWAYS)



RISING MAIN

KEY

- SUITABLE BACKFILL MATERIAL.
 - SELECTED SIDEFILL AND SURROUND.
 - GRANULAR MATERIAL TO SHW CLAUSE 503.300
 - ST4 CONCRETE BED AND SURROUND.
- DN = NOMINAL INTERNAL DIAMETER OF PIPE.
BC = OUTSIDE DIAMETER OF PIPE.

DIMENSION Y

CLASS	MACHINE DUG UNIFORM SOIL	ROCK OR MIXED SOILS
N,F,B & S	NOTE (i)	NOTE (ii)
A & Z	NOTE (ii)	NOTE (ii)

- (i) Y=BC/6, WITH MIN 100 UNDER BARRELS (50 FOR SLEEVE JOINTED) AND MIN 50 UNDER SOCKETS, WHICHEVER IS THE GREATER, WITH MAX OF 400.
- (ii) Y=BC/4, WITH MIN 200 UNDER BARRELS (150 FOR SLEEVE JOINTED) AND MIN 150 UNDER SOCKETS, WHICHEVER IS THE GREATER, WITH A MAX OF 400.

NOTES
DO NOT SCALE

1. ALL DIMENSIONS ARE IN MILLIMETRES UNLESS OTHERWISE STATED.
2. PIPE BEDDING CLASSIFICATIONS ARE DERIVED FROM T.R.I.L. DOCUMENT 'SIMPLIFIED TABLES OF EXTERNAL LOADS ON BURIED PIPELINES.'
3. REFER TO STANDARD DETAIL 1903/SD/100 (DRAINAGE NOTES)
4. TOPSOIL THICKNESS TO BE AS EXISTING, BUT NOT LESS THAN 150
5. CLAUSE NUMBERS REFER TO SHW (SPECIFICATION HIGHWAY WORKS) LATEST EDITION.
6. CLAY OR CONCRETE STANKS TO BE ADDED AS SHOWN ON SEWER LONG SECTIONS.

REV	DATE	BY	DESCRIPTION	CHK	APP
B	03/12/08	JH	ISSUED FOR TECHNICAL APPROVAL	JWM/CH	JM
A	30/05/08	PJ	FIRST ISSUE	LH	JM

DRAWING STATUS:
FOR TECHNICAL APPROVAL


 Mountbatten House, Basing View, Basingstoke, Hampshire RG21 4HU
 Tel: +44 (0)1256 318800 Fax: +44 (0)1256 318700
<http://www.wspgroup.com>

CLIENT: COUNTRYSIDE PROPERTIES

ARCHITECT: SOUTH WEST BICESTER BICESTER, OXFORDSHIRE

PROJECT: ON SITE WORKS
PIPE BEDDING DETAILS

TITLE:	ON SITE WORKS PIPE BEDDING DETAILS		
SCALE @ A3:	1:20	CHECKED: LH	APPROVED: JM
CAD FILE:	1903-SD-101	DESIGN DRAWN: PJ	DATE: January 2008
PROJECT No:	11011903	DRAWING No:	1903/SD/101
		REV:	B