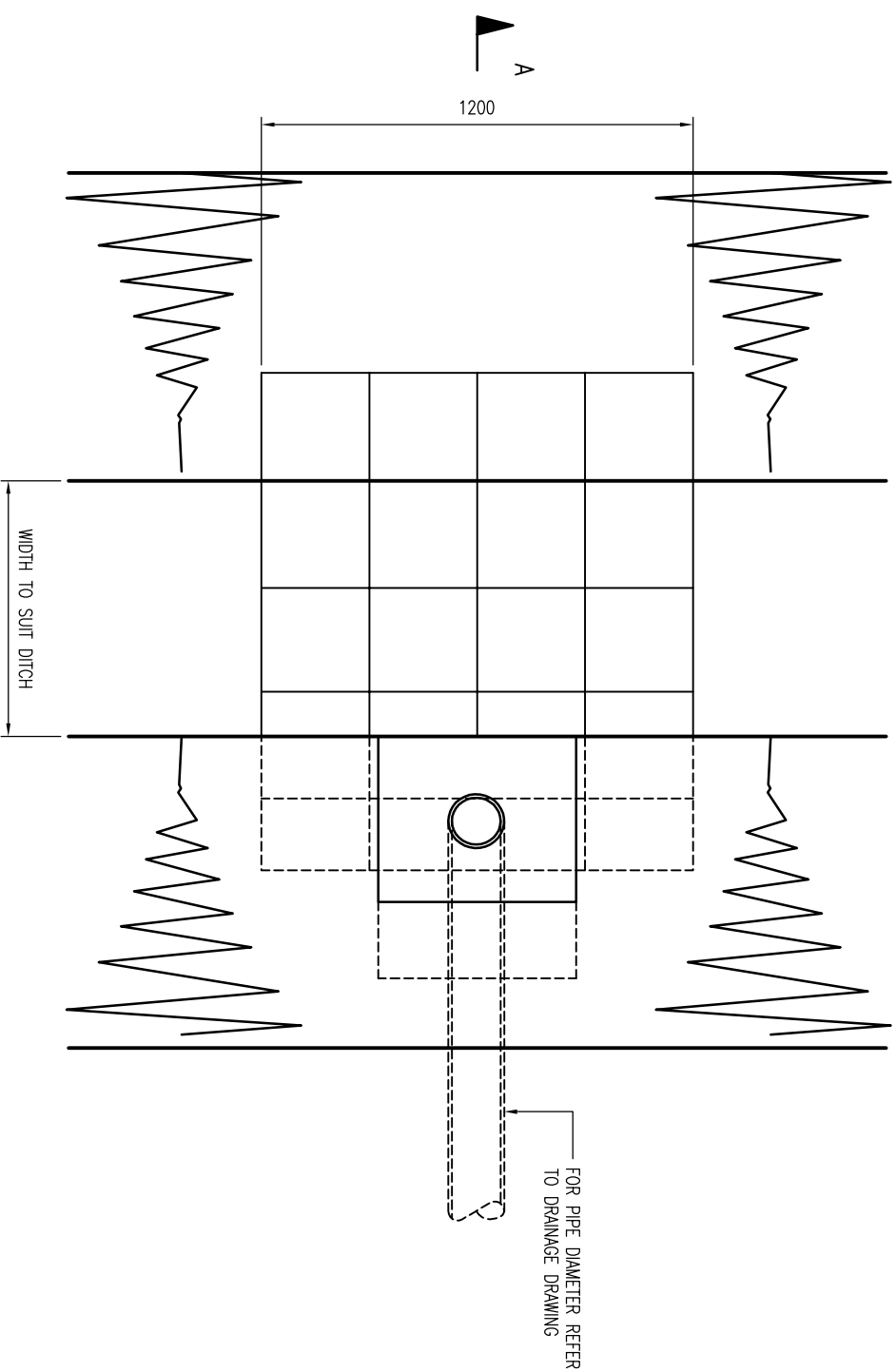
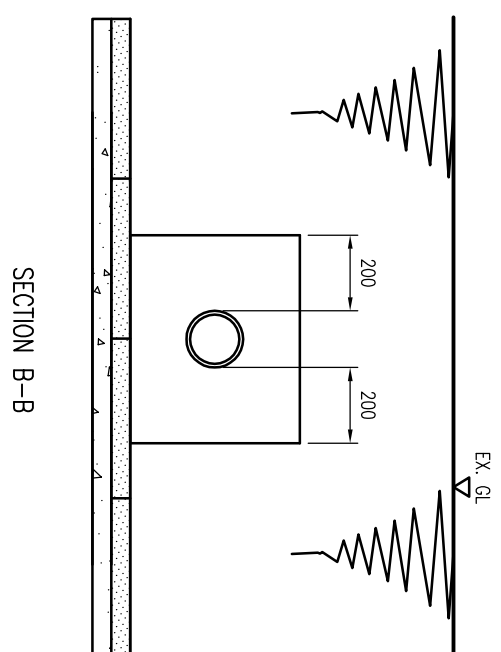
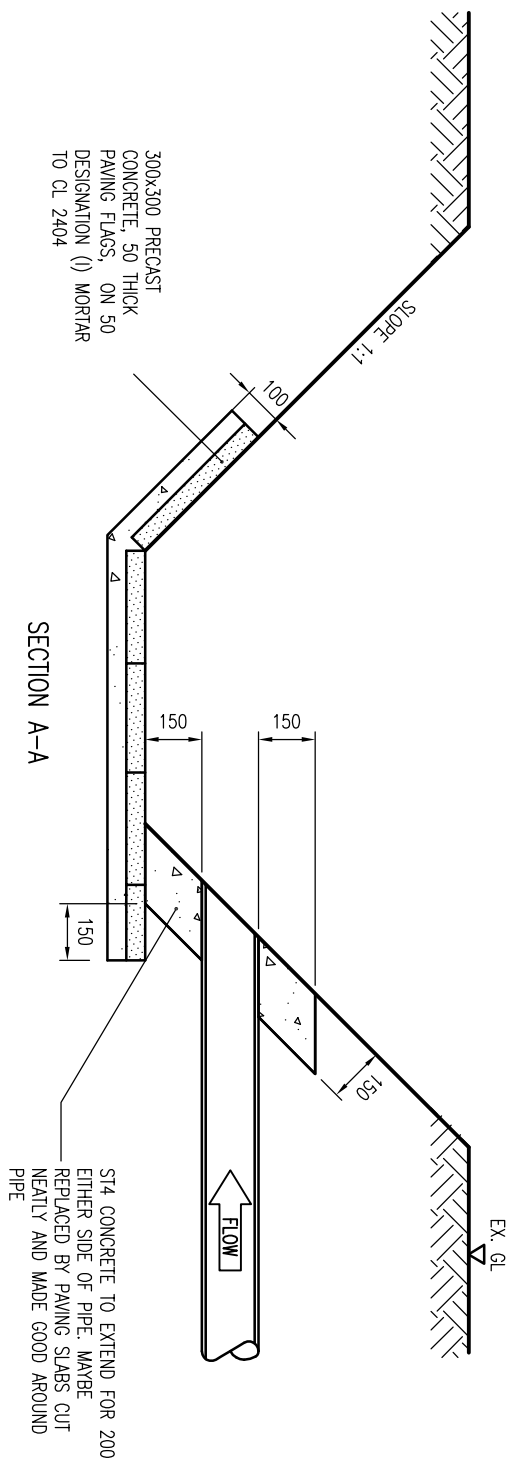


DO NOT SCALE

NOTES

1. ALL DIMENSIONS ARE IN MILLIMETRES UNLESS OTHERWISE STATED
2. ALL WORK TO EXISTING DITCHES MUST HAVE THE CONSENT OF THE EA, THE LOCAL AUTHORITY AND THE LANDOWNER
3. PRE-CAST CONCRETE PAVING SLABS TO BS 1339
4. FORMED SURFACES TO BE CLASS F1 FINISH TO CL 1708
5. UNFORMED SURFACES TO BE CLASS U2 PLAIN FINISH TO CL 1708
6. REFER TO STANDARD DETAIL 1903/SD/100 (DRAINAGE NOTES)



HEADWALL TYPE 3 (FOR PIPES <225Ø)

ALL CLAUSE NUMBERS REFER TO SPECIFICATION FOR HIGHWAY WORKS.

REV	DATE	BY	DESCRIPTION	CHK	APP
B	03/12/08	JH	ISSUED FOR TECHNICAL APPROVAL	JHM	JH
A	28/05/08	PJ	FIRST ISSUE	LH	JM

FOR TECHNICAL APPROVAL



Mountbatten House, Basing View, Basingstoke, Hampshire RG21 4HU
 Tel: +44 (0)1256 318800 Fax: +44 (0)1256 318700
<http://www.wspgroup.com>

COUNTRYSIDE PROPERTIES

CLIENT: COUNTRYSIDE PROPERTIES
 ARCHITECT:

PROJECT: SOUTH WEST BICESTER
 BICESTER, OXFORDSHIRE

TITLE: ON SITE WORKS
 HEADWALL - TYPE 3
 PIPES UNDER 225Ø

SCALE @ A3: 1:20
 CHECKED: LH APPROVED: JM

CAD FILE: 1903-SD-107
 DESIGN/DRAWN: PJ DATE: September 2008

PROJECT No: 11011903
 DRAWING No: 1903/SD/107
 REV: B

© WSP Group plc