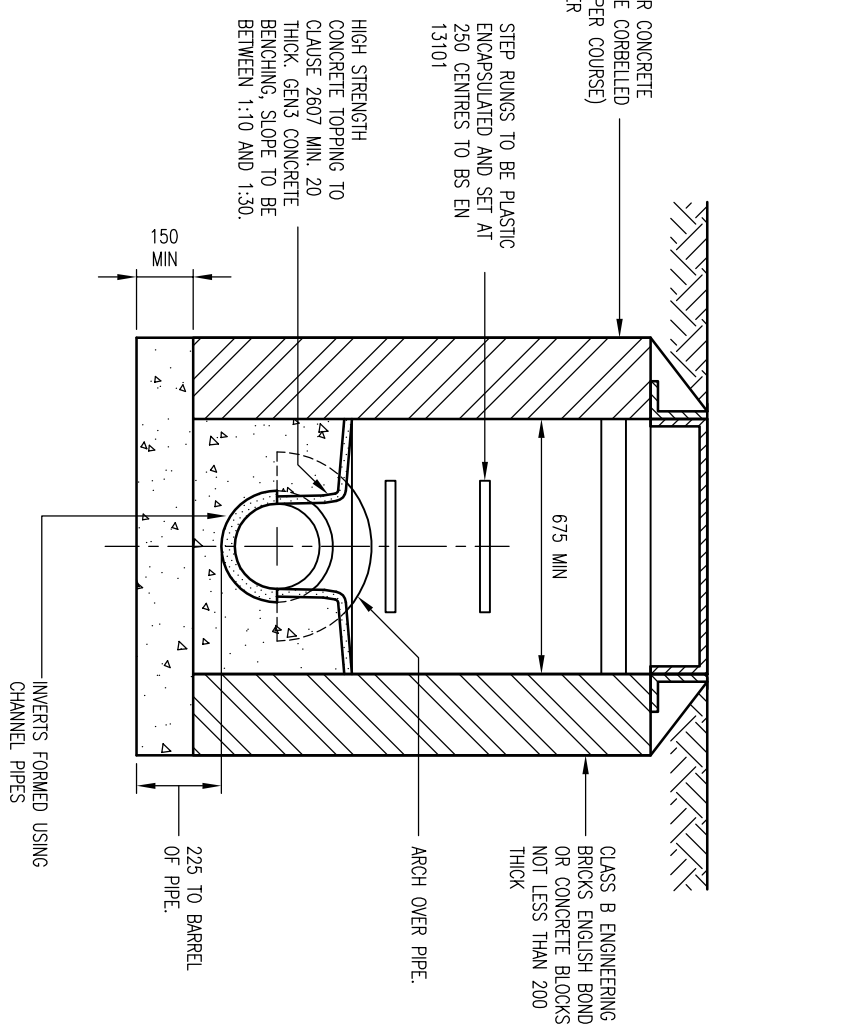
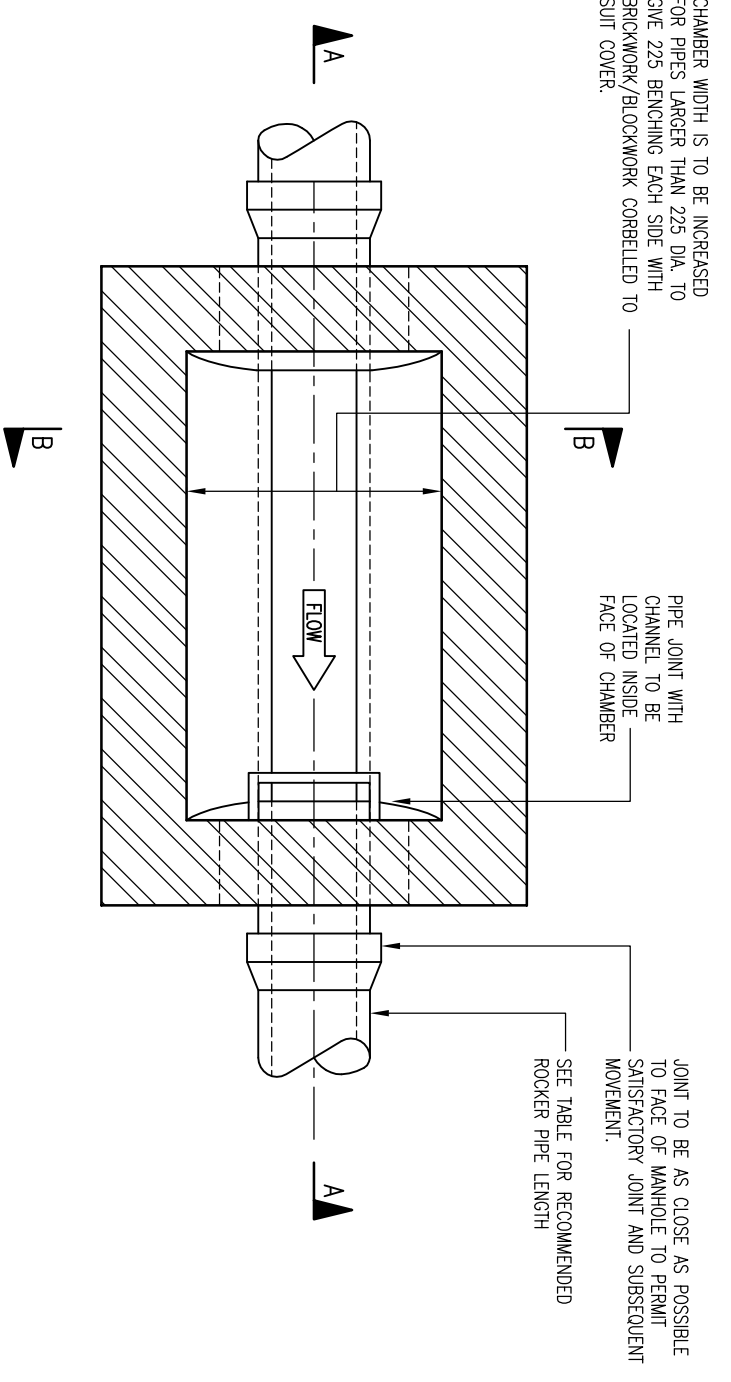


SECTION A-A



SECTION B-B



PLAN ON C-C

**ROCKER PIPE LENGTHS:**

NOMINAL DIAMETER (mm)	EFFECTIVE LENGTH (mm)
150-600	600
675-750	1000
OVER 750	1250

**DO NOT SCALE**

- NOTES
1. ALL DIMENSIONS IN MILLIMETRES.
  2. REFER STANDARD DETAIL 1903/SD/100 (DRAINAGE NOTES)
  3. THE USE OF PRECAST RECTANGULAR CONCRETE MANHOLE UNITS WITH 150 GEN3 CONCRETE SURROUND SHALL BE PERMITTED WHERE ACCEPTED BY THE ENGINEER AND THE UNDERTAKER.

REV	DATE	BY	DESCRIPTION	CHK	APP
B	03/12/08	JH	ISSUED FOR TECHNICAL APPROVAL	JM	JH
A	28/05/08	JP	FIRST ISSUE	LH	JM

FOR TECHNICAL APPROVAL



Mountbatten House, Basing View, Basingstoke, Hampshire RG21 4HU  
 Tel: +44 (0)1256 318800 Fax: +44 (0)1256 318700  
<http://www.wspgroup.com>

COUNTRYSIDE PROPERTIES

PROJECT: SOUTH WEST BICESTER  
 BICESTER, OXFORDSHIRE

TITLE: ON SITE WORKS  
 MANHOLE DETAIL TYPE C  
 (DEPTH TO SOFFIT 1.00m-1.50m)

SCALE @ A3	CHECKED:	APPROVED:
1:25	LH	JM

DAO FILE	DESIGN/DRAWN:	DATE:
1903-SD-105	PJ	January 2008

PROJECT No:	DRAWING No:	REV:
11011903	1903/SD/105	B