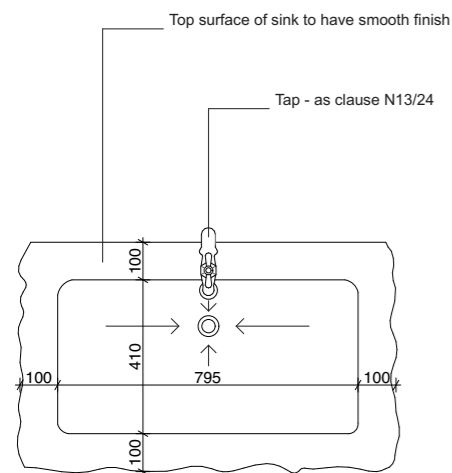


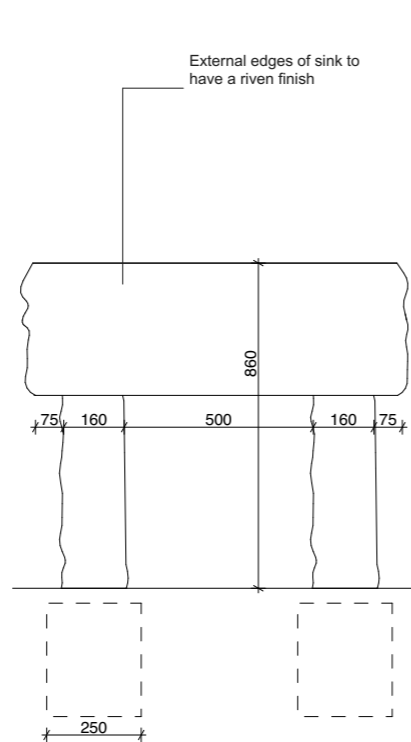
1. All dimensions and levels to be checked on site before commencing work.
2. This drawing to be read in conjunction with all relevant contract documents.
3. Do not scale from this drawing, use figured dimensions only.
4. Report any errors, contradictions or omissions to the designer as soon as possible

RevID	Change Name	Date
P1	Tender	31/03/22
P2	For Construction	31/03/23

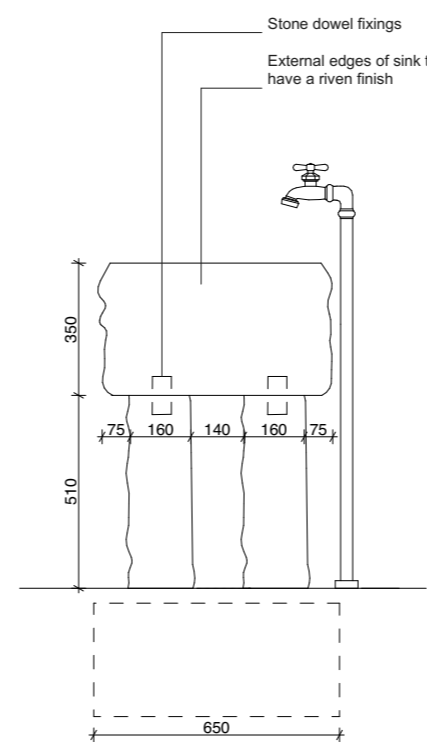
- Stone sink revised



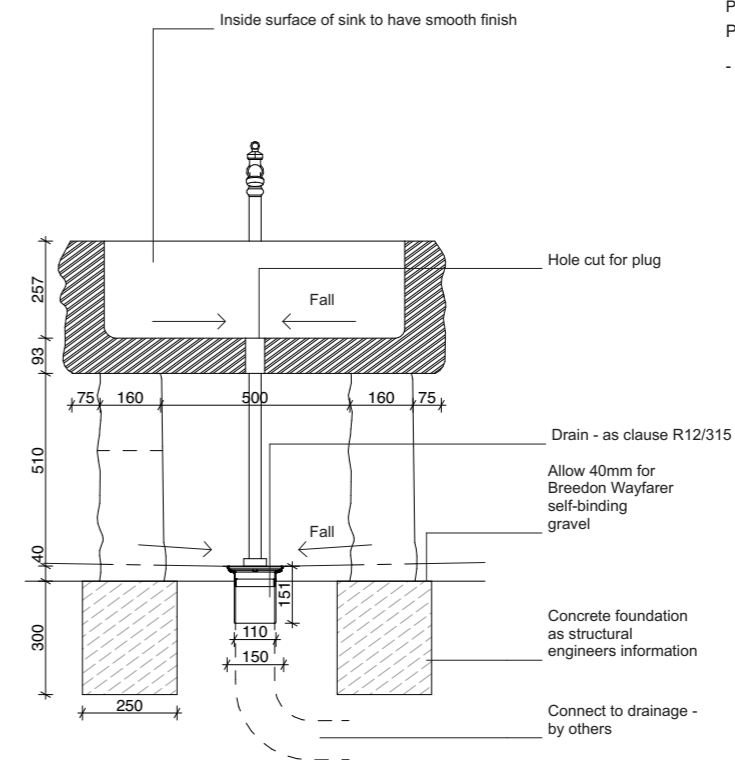
Stone sink plan



Stone sink long elevation



Stone sink short elevation



Stone sink long section

Drawing
Stone Sink

Project
Begbroke Weed Garden

Client Mace Drawing No
OUD BBSP-ASSE-XX-XX-DR-A-725002

Date 31/03/2023 **Drawing No** 1259_05_161

Drawn by AE **Scale** 1:20 @ A3

ASSEMBLE

Sugarhouse Studios, 19 Collett Road, SE16 4DJ
+44 (0)2072370000
info@assemblestudio.co.uk