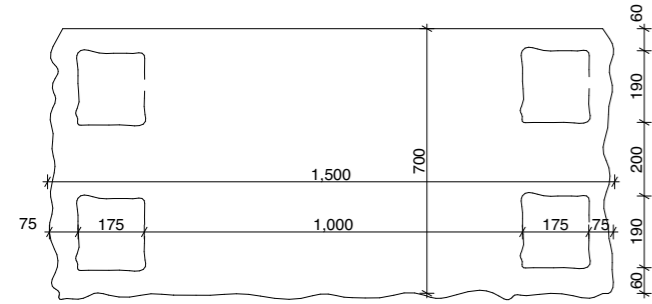
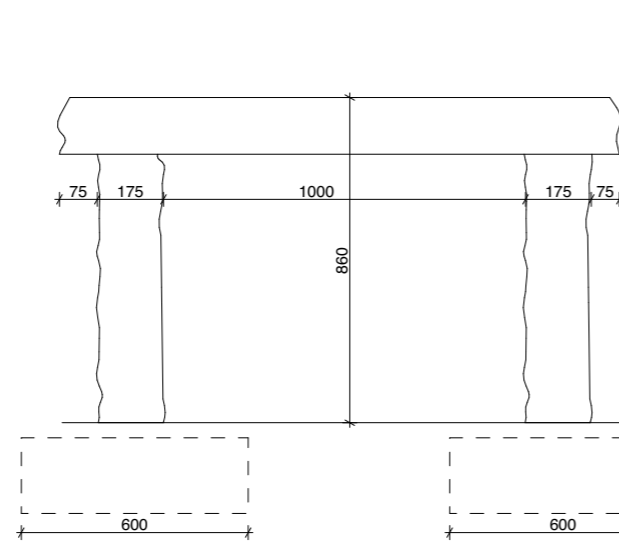


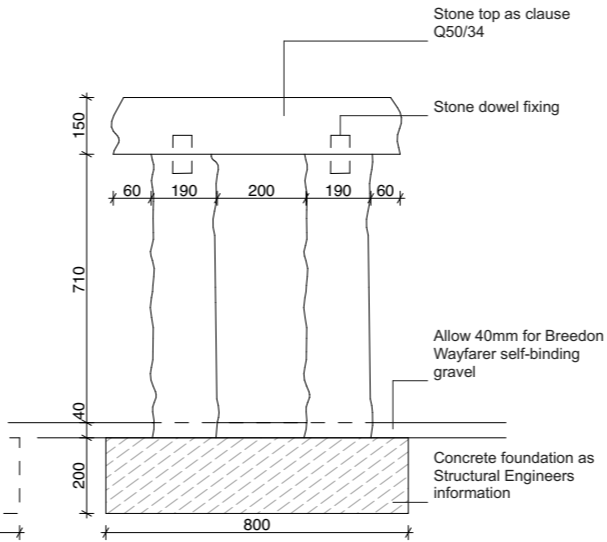
1 x Stone Table



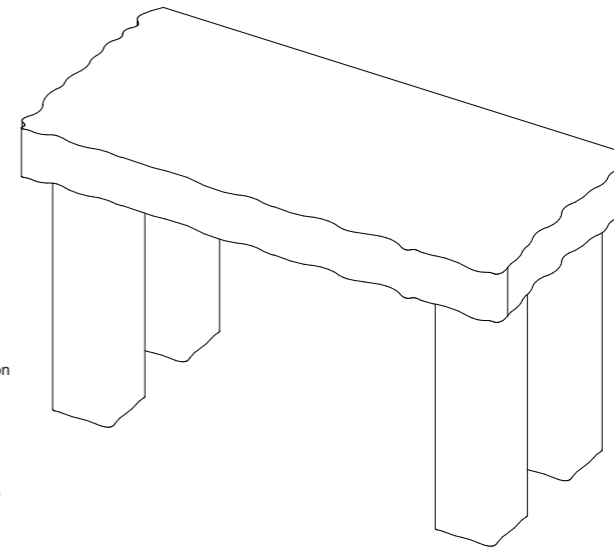
Stone table plan



Stone table long elevation



Stone table short elevation



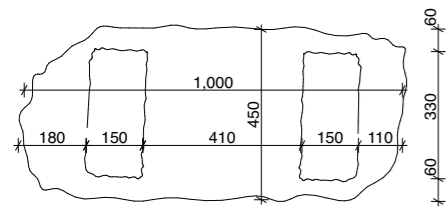
Stone table axonometric

1. All dimensions and levels to be checked on site before commencing work.
2. This drawing to be read in conjunction with all relevant contract documents.
3. Do not scale from this drawing, use figured dimensions only.
4. Report any errors, contradictions or omissions to the designer as soon as possible

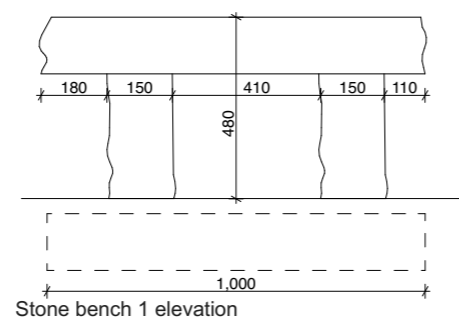
RevID	Change Name	Date
P1	Tender	31/03/22
P2	For Construction	31/03/23

- Stone furniture revised

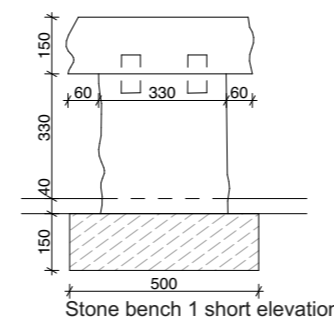
1 x Stone Bench 1



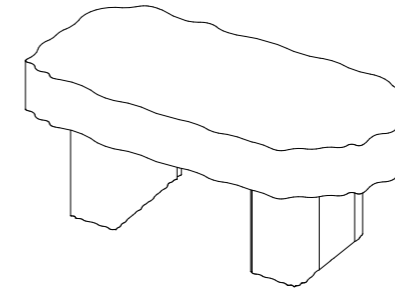
Stone bench 1 plan



Stone bench 1 elevation

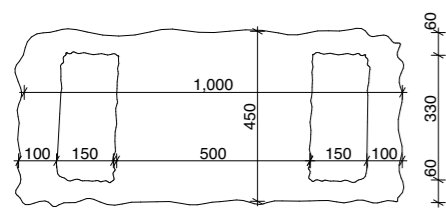


Stone bench 1 short elevation

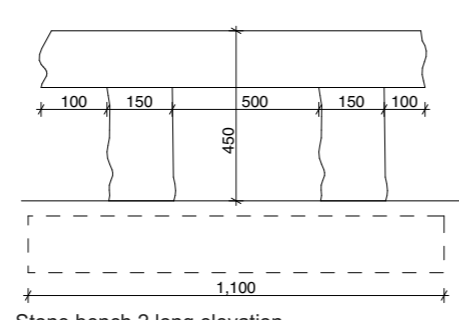


Stone bench 1 axonometric

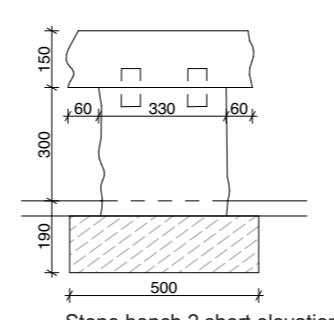
3 x Stone Bench 2



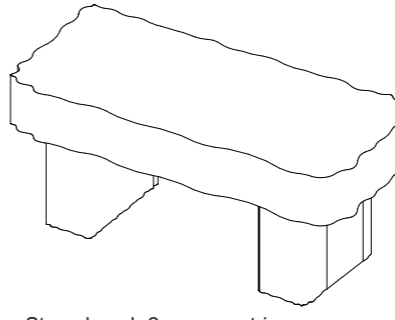
Stone bench 2 plan



Stone bench 2 long elevation

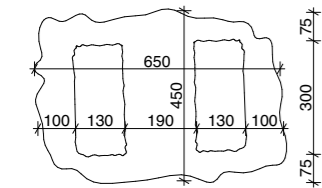


Stone bench 2 short elevation

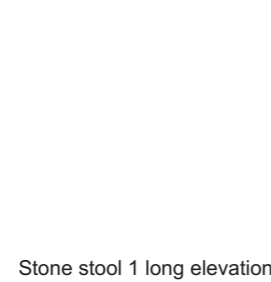


Stone bench 2 axonometric

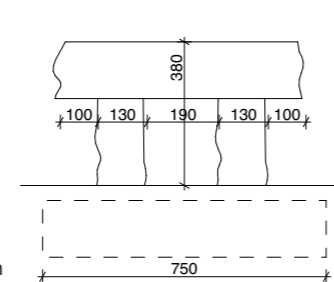
1 x Stone Stool 1



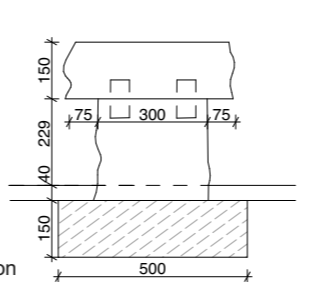
Stone stool 1 plan



Stone stool 1 long elevation

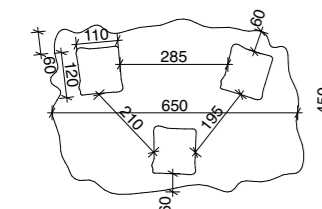


Stone stool 1 short elevation



Stone stool 1 axonometric

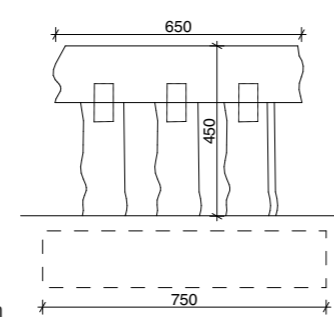
1 x Stone Stool 2



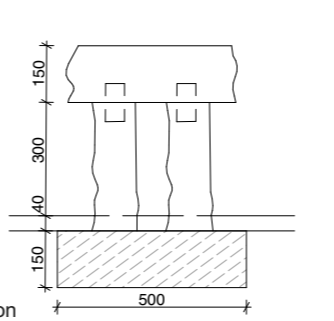
Stone stool 2 plan



Stone stool 2 long elevation



Stone stool 2 short elevation



Stone stool 2 axonometric

Drawing
Stone Furniture

Project
Begbroke Weed Garden

Client
Mace Drawing No
OUD BBSP-ASSE-XX-XX-DR-A-725001

Date
31/03/2023
Drawing No
1259_05_160

Drawn by
AE
Scale
1:20 @ A3

ASSEMBLE

Sugarhouse Studios, 19 Collett Road, SE16 4DJ
+44 (0)2072370000
info@assemblestudio.co.uk